



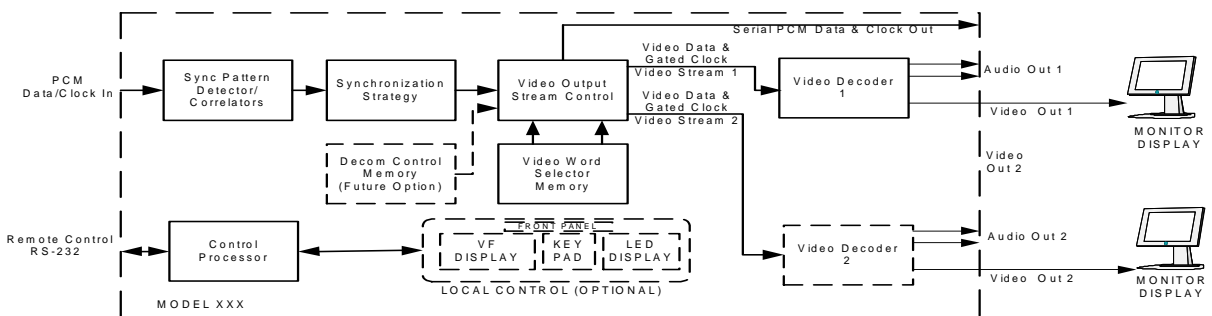
FEATURES

- PCM Frame Synchronizer
- Single or dual MPEG-4 Decoder (ISO 14496-2)
- IRIG 106 Serial PCM at rates up to 25Mbps
- Video/audio demultiplexing
- NTSC/PAL
- Compressed Video/audio data rates from 64k to 6Mbps
- RS-232 Port Control
- Standard Rack-mount Chassis

Delta's Model 4905 is a PCM Frame synchronizer and MPEG-4 video decoder. The 4905 accepts IRIG-106 serial PCM data (NRZ-L) at clock rates up to 25Mbps. The unit locates the sync pattern and outputs the serial data and synchronization status while feeding a video word selector memory that allows the extraction of up to two video transport streams embedded in the PCM data stream. Extracted video words are routed to one or both of the MPEG-4 decoders.

The decoder(s) receives the gated clock and data from the frame synchronizer and demultiplexes the transport stream. The video is decompressed in accordance with the MPEG-4 Part 2 standard. The decoder decompresses the ADPCM coded audio stream. The audio and video are converted to analog for realtime playback.

The Model 4905 is designed to operate with PCM telemetry systems that contain Delta's OEM MPEG-4 encoder products and is compatible with NTSC and PAL video systems. Control for the system is provided via an RS-232 port. Both the frame synchronizer and decoders are controlled via this port.



VIDEO OUTPUT

Ports	One/Two
Format	Composite
Levels	1.0Vp-p
Impedance	75 ohms
Connector	BNC

VIDEO DECOMPRESSION

Algorithm	ISO/IEC 14496-2 MPEG-4 Part 2 (Simple Profile)
Modes	I-only/IP
Resolution	D1/2CIF/CIF
Frame Rate	1-30 (25 for PAL)

DE-MULTIPLEX

Protocol	ISO/IEC 13818-1 MPEG-2 Transport Stream Video/Audio
----------	---

AUDIO OUTPUT

Ports	Two
Channels	None, Left, Left and Right*
Format	Balanced (Line Level)
Levels	2.8V p-p (1 Vrms)
Impedance	10K ohms
Gain	0 to 64 db*
Connector	LEMO (6-pin)

AUDIO DECOMPRESSION

Algorithm	ADPCM
Sample Rates	8K/16Ksps
Synchronization	Lip synchronized with video

PCM FRAME SYNCHRONIZER

Ports	One
Format	IRIG-106 NRZ-L
Signals	Clock/Data
Levels	TTL/RS-422
Connector	BNC/TRIAX

FRAME SYNC PATTERN DETECTOR

Operation	Enabled or Disabled
Polarity Correction	Automatic (Can be disabled)
Frame sync Pattern	Up to 32 Bits, all maskable
Frame Length	16 to 65536 bits per frame
Words per Frame	Up to 4096 Words
Word Size	4-bits to 16-bits (Supercomm Capable)
Search Errors	0 to 15
Check Errors	0 to 15
Lock Errors	0 to 15
Check Frames	0 to 15
Flywheel Frames	0 to 15
Sync Lock Indicator	Front Panel LED

CONTROL

Ports	One
Protocol	RS-232
Signals	RD, SD, GND
Data Rate	9600, Asynchronous
Format	8-bit Data, 2 Stop Bits, No Parity
Connector	9-Pin 'D'

POWER

Voltage	90-264VAC
Frequency	47 to 63Hz
Connector	Standard IEC-320

SIZE

1.75"H x 19"W x 12"D
Weighs less than 6 lbs.

